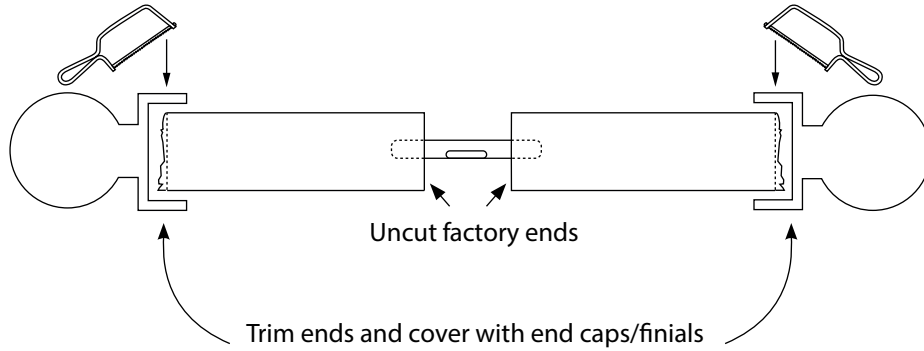


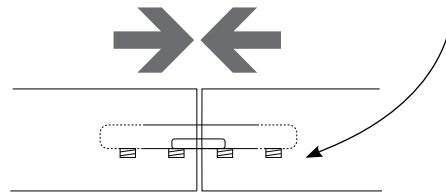
## SYSTEM 30 STRAIGHT TRACK

- 1 Join together factory cut ends and trim off the excess at track ends only

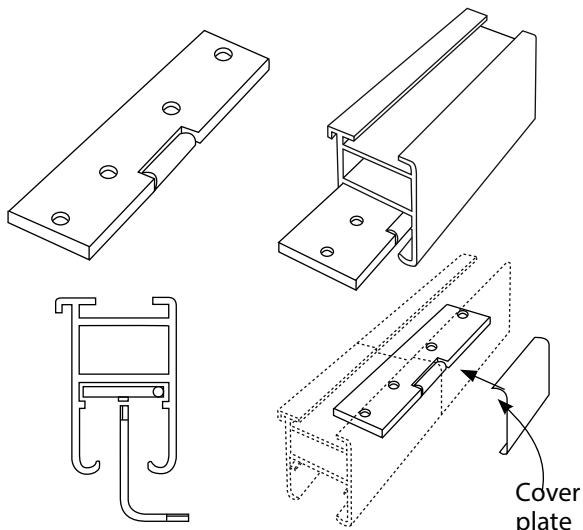


- 2 Place a support bracket as close as possible to the join
- 3 Ensure the joins are butted together tightly before tightening lock screws

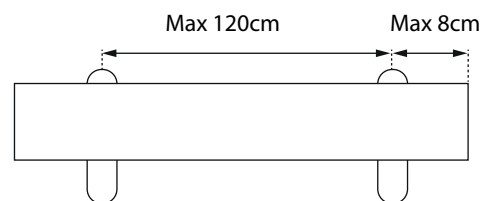
With careful installation gliders will pass over the track joins. There is no limit to maximum track length



## TRACK JOINER

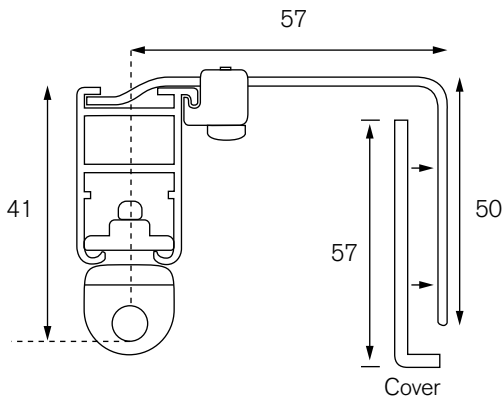


## BRACKET SPACING

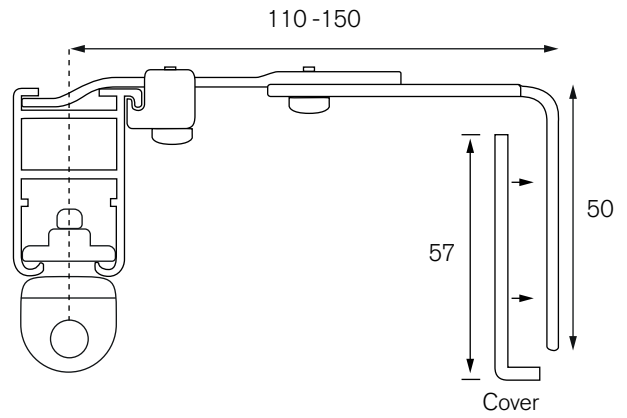


# BRACKETS AND FITTINGS

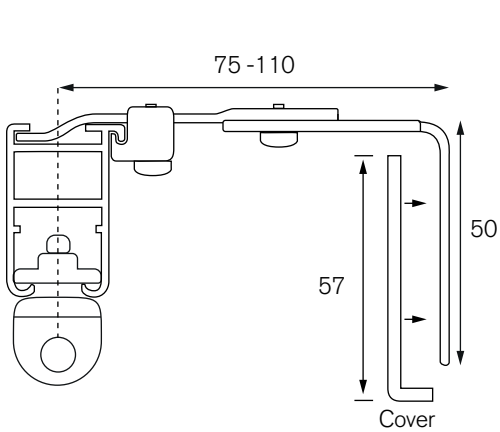
FACE FIX BRACKETS FOR SYSTEM 30 All dimensions are in mm



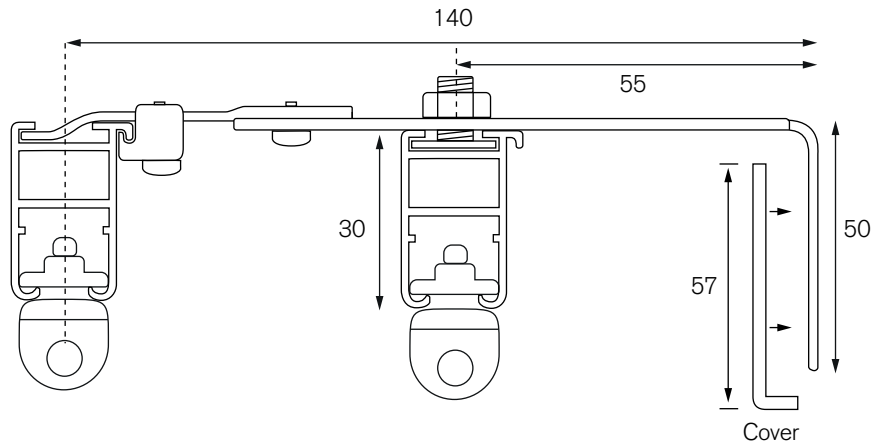
Standard bracket



Heavy duty adjustable 110 -150 bracket

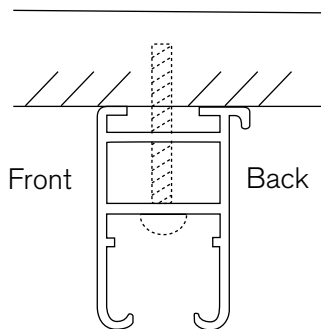


Heavy duty adjustable 75 -110 bracket



Double track bracket

## DIRECT CEILING FIX USING PRE DRILLED TRACK



## DRAWROD CARRIER

Drawrod carrier

